



FEDERAL BRACE

**American-Made, Heavy-Duty
Support Brackets**

www.federalbrace.com



**Liberty Hidden Countertop
Support Plate**
SKU: 30251

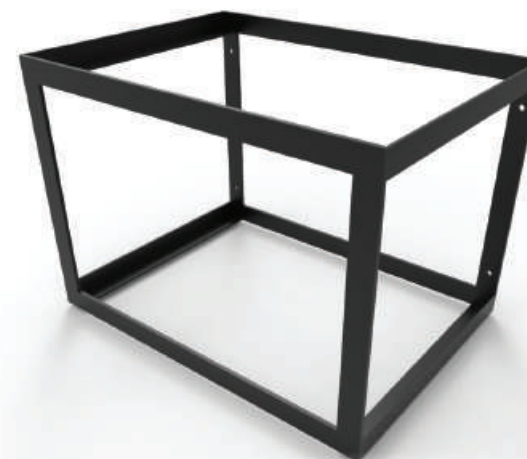


Volume 23

Designed + Manufactured in **The United States of America**



The CUBE Cabinet *by* Federal Brace



12 × 12 × 17 (single)
Carry Capacity: 100lbs+
7 Gauge Steel Construction
Ceiling Mounted Applications
Wall Mounted Applications
Free-Standing Applications
Black Powdercoat Finish
Customizable via *Short Run Pro*

Founded in 2009 by the Toal family, Federal Brace produces support solutions for residential and commercial applications and high volume projects across the continent.

Birthered from **Short Run Pro**, Federal Brace is known for the highest quality brackets & shelving available in the residential and commercial building markets, innovation in product styles and function, providing its customers variety, and Made in the USA craftsmanship. We strive to stay true to our beginnings and pay tribute to our history. Since its founding, Federal Brace has pioneered many of the standard bracket & shelving applications in residential and industrial designs.

Federal Brace is excited to continue to thrive and provide quality, American Made solutions across all aspects for both home and commercial applications with 650,000+ products manufactured to date and growing.

Teak Floating Shelf *by* Federal Brace



24 × 10 × 2.75
Carry Capacity: 100lbs
Solid Teak Species
Beautiful Honey Color
Includes Mounting Bracket
Weather-Resistant

Teak Wall Cladding *by* Federal Brace



21.25 × 7 × 0.75
Solid Teak Species
12, 24, & 48 Packs
Three Styles Available
Easily Transform a Space
Great DIY Project

Our Customers



The Braila ADA *by* Federal Brace



32 × 2.75 × 31.62
Carry Capacity: 375lbs per Bracket
Supports 36" Overhangs
ADA Compliant 
Assembly Construction
Fast & Easy Shipping
Black Powdercoat Finish
Customizable via *Short Run Pro*

Countertop

SUPPORTS



QUALITY, CONFIDENT, USA-MADE COUNTERTOP SUPPORTS

Federal Brace countertop support brackets are the ultimate combination of designer style and industry leading countertop support. With our American-made countertop brackets, you'll have peace of mind that your expensive countertop is properly supported. All of our countertop support brackets are designed and tested by our in-house engineering team and manufactured to ISO-certified quality standards.



<p>Brunswick Sizes: 8x2x8 (min) - 24x2x24 (max) Finishes: Bronze, Stainless, Steel Carry Capacity: 500 lbs</p> 	<p>Freedom Sizes: 8x2x8 (min) - 24x2x24 (max) Finishes: Black, White, Steel Carry Capacity: 375 lbs</p> 
<p>Arrowwood Sizes: 8x2x8 (min) - 24x2x24 (max) Finishes: Black, Stainless Carry Capacity: 500 lbs</p> 	<p>Liberty Sizes: 8x3x0.25 (min) - 20x3x0.5 (max) Finishes: Black, White, Steel Carry Capacity: 375 lbs</p> 
<p>Carrier Sizes: 8x3x2 (min) - 20x2x3 (max) Finish: Stainless Carry Capacity: 500 lbs</p> 	<p>Harmony Size: 24x1.5x2 (L/R) Finish: Black Carry Capacity: 375 lbs</p> 
<p>Versa Sizes: 12x2x12 (min) - 18x2x18 (max) Finish: Black Carry Capacity: 500 lbs</p> 	<p>Lincoln Sizes: 10x12x0.25 (min) - 14x12x0.25 (max) Finish: Black Carry Capacity: 375 lbs</p> 
<p>Valencia Size: 10x2x20 Finish: Stainless Carry Capacity: 500 lbs</p> 	<p>Foremont Size: 10x2x6 Finishes: Black, Stainless Carry Capacity: 500 lbs</p> 
<p>Braila ADA  Size: 32x2.75x31.62 Finish: Black Carry Capacity: 375 lbs</p> 	<p>Blakeney Size: 4x2x5 Finish: Steel Mist Carry Capacity: 300 lbs</p> 

Custom Manufacturing Options Available Via **"Short Run Pro"**
 (877) 829-9293 | sales@shortrunpro.com



Vanity

SUPPORTS



QUALITY LEVELS THAT EXCEED INDUSTRY STANDARDS

The Federal Brace Vanity line is designed with your needs in mind. Our craftsmanship and original designs feature corrosion-resistant materials and heavy carrying capacities. Compliance with the Americans with Disabilities Act also can be achieved with several Federal Brace Brackets, as identified with an ADA addition to the product name.



<p>Hammam Sizes: 20x0.75x24 (min) - 20x0.75x48 (max) Finish: Black Carry Capacity: 200 lbs</p> 	<p>Titus Size: 18x2x10 (L/R) Finish: Galvanized Carry Capacity: 100 lbs</p> 
<p>Atlas ADA  Size: 25x6x37.50 Finish: Raw Steel Carry Capacity: 1,500 lbs</p> 	<p>ADA Universal  Size: 20x1.65x20 Finish: Black Carry Capacity: 500 lbs</p> 
<p>Carolina Sizes: 10x2x10 (min) - 24x2x24 (max) Finish: Black Carry Capacity: 500 lbs</p> 	<p>Olympus ADA  Size: 22.5x6x33 Finish: Raw Steel Carry Capacity: 500 lbs</p> 
<p>Versa Size: 18x2x18 Finish: Black Carry Capacity: 500 lbs</p> 	<p>Workstation Size: 18x2x10 Finish: Black Carry Capacity: 500 lbs</p> 
<p>Wall Mounted Desk Size: 24.5x3x20.75 Finish: Black Carry Capacity: 500 lbs</p> 	<p>Savona Commercial Size: 2x16x9 Finishes: Black, Silver Carry Capacity: 500 lbs</p> 
<p>Sutherland Size: 18x2x18 Finish: Black Carry Capacity: 500 lbs</p> 	<p>Cascata Size: 16x0.5x16 Finish: Stainless Carry Capacity: 300 lbs</p> 

Custom Manufacturing Options Available Via **"Short Run Pro"**

(877) 829-9293 | sales@shortrunpro.com



Shelving

SYSTEMS



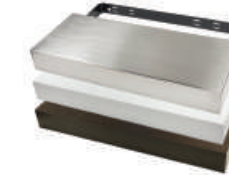
ENGINEERED TO WORK WITH WITH CONFIDENCE

Our curated collection of shelving solutions help achieve the cohesive and polished look you desire. Transform rooms with thoughtfully designed shelving components finished in the highest quality you've come to expect from Federal Brace. These timeless, authentic shelving solutions have limitless application options for your unique space with the trusted support and industry high carry capacities.



Classic Floating

Sizes: 24x10 (min) - 40x10 (max)
Finishes: Coffee, White, Stainless
Carry Capacity: 100 lbs



Teak Floating

Size: 24x10x2.75
Finish: Teak
Carry Capacity: 100 lbs



Floating Shelf Bracket

Sizes: 8x16.75x1.65 (min) - 8x34.5x1.65 (max)
Finish: Black
Carry Capacity: 100 lbs



LED Floating

Size: 24x10x3
Finish: White
Carry Capacity: 100 lbs



Low Profile Floating

Size: 24x10x2
Finish: White
Carry Capacity: 50 lbs



Maple Live Edge

Sizes: 12x24x2 (min) - 12x30x2 (max)
Finish: Maple
Carry Capacity: 100 lbs



Universal Shelf System

Size: 2x12.5x29
Finish: Black
Carry Capacity: 200 lbs



Modern Bracket

Size: 8x2.7x3
Finish: Black
Carry Capacity: 375 lbs



Floating Shelf Clamp

Size: 2.13x2x2.31
Finish: Black
Carry Capacity: 30 lbs



3 Tier Hanging Shelf

Size: 11.5x32x29
Finish: Black
Carry Capacity: 200 lbs



Industrial Bracket

Sizes: 8x2.25x3 (min) - 10x2.7x3 (max)
Finishes: Black, Silver, Stainless
Carry Capacity: 50 lbs



Stud Mounted Shelf Rod

Sizes: 8x2x4 (min) - 12x2x4 (max)
Finish: Steel
Carry Capacity: 100 lbs



Custom Manufacturing Options Available Via "Short Run Pro"

(877) 829-9293 | sales@shortrunpro.com



Mantel & Corbel

BRACKETS



ELEGANT SAFETY AND SUPPORT

Innovative at the forefront, our mantel brackets and corbels are the perfect solution for supporting a mantel over your outdoor or indoor fireplace. Federal Brace mantel brackets easily tie into your stonework or stud walls. Whether you're looking to achieve a minimal or a more decorative look, we have the mantel mounting brackets to exceed your needs.



Stud Mantel Rod

Size: 8x0.75x4.50
Finish: Steel
Carry Capacity: 150 lbs



Appalachian

Sizes: 6x5x6 (min) - 8x5x8 (max)
Finish: Black
Carry Capacity: 375 lbs



Blue Ridge

Size: 4.75x5.5x6.75
Finish: Black + Maple
Carry Capacity: 375 lbs



Floating Mantel Rod

Size: 6x1.5x2.5
Finish: Steel
Carry Capacity: 150 lbs



Cumberland

Size: 12x3x12
Finish: Maple
Carry Capacity: 375 lbs



Lexington

Size: 10x3x10
Finish: Maple
Carry Capacity: 375 lbs



Lincroft

Size: 10x3x12
Finish: Maple
Carry Capacity: 375 lbs



Scalloped

Size: 10x3x10
Finish: Maple
Carry Capacity: 375 lbs



Mission

Size: 6x3x14
Finish: Maple
Carry Capacity: Decorative Only



Lexington Bar

Size: 6.56x3x12.75
Finish: Maple
Carry Capacity: Decorative Only



Corbel Mount System

Size: 4x1x2.5
Finish: Galvanized
Carry Capacity: Decorative Only



Corbel Rib Support

Sizes: 6x2x6 (min) - 12x2x12 (max)
Finish: Black
Carry Capacity: 375 lbs



Custom Manufacturing Options Available Via **"Short Run Pro"**

(877) 829-9293 | sales@shortrunpro.com



Teak Collections

FURNITURE + HOME ACCESSORIES



A COLLECTION OF ADDITIONS TO COMPLETE YOUR HOME

Beautiful furniture products that are economically designed with the quality level you have come to expect from Federal Brace. From kitchen accessories to our timeless Teak Shower Mats to our Teak Shower Bench to our Teak Wall Cladding, we have a collection of quality Teak additions to complete every room in your home.



Native - 3D Panels

Size: 21.25x7x0.75
Finish: Teak
Feature: 3 Box Sizes Available



Relic - 3D Panels

Size: 21.25x7x0.75
Finish: Teak
Feature: 3 Box Sizes Available



Vintage - 3D Panels

Size: 21.25x7x0.75
Finish: Teak
Feature: 3 Box Sizes Available



Teak Cutting Board

Size: 20x15x1.38
Finish: Teak
Feature: Handle Slots



Teak Shower Bench

Size: 16x21x1.63
Finish: Teak
Feature: Natural Teak Species



Teak Floating

Size: 24x10x2.75
Finish: Teak
Carry Capacity: 100 lbs



3 Tier Hanging Shelf

Size: 11.5x32x29
Finish: Black
Carry Capacity: 200-350 lbs



Teak Shelf Insert

Size: 32x11.5x0.75
Finish: Teak
Feature: Pairs With Universal Shelf



Arbor Mat

Size: 35.5x19.75x1.75
Finish: Teak
Feature: Natural Rubber Feet



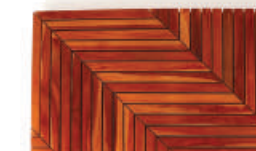
Radial

Size: 35.5x19.75x1.75
Finish: Teak
Feature: Natural Rubber Feet



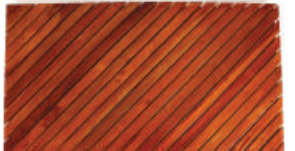
Bombora

Size: 35.5x19.75x1.75
Finish: Teak
Feature: Natural Rubber Feet



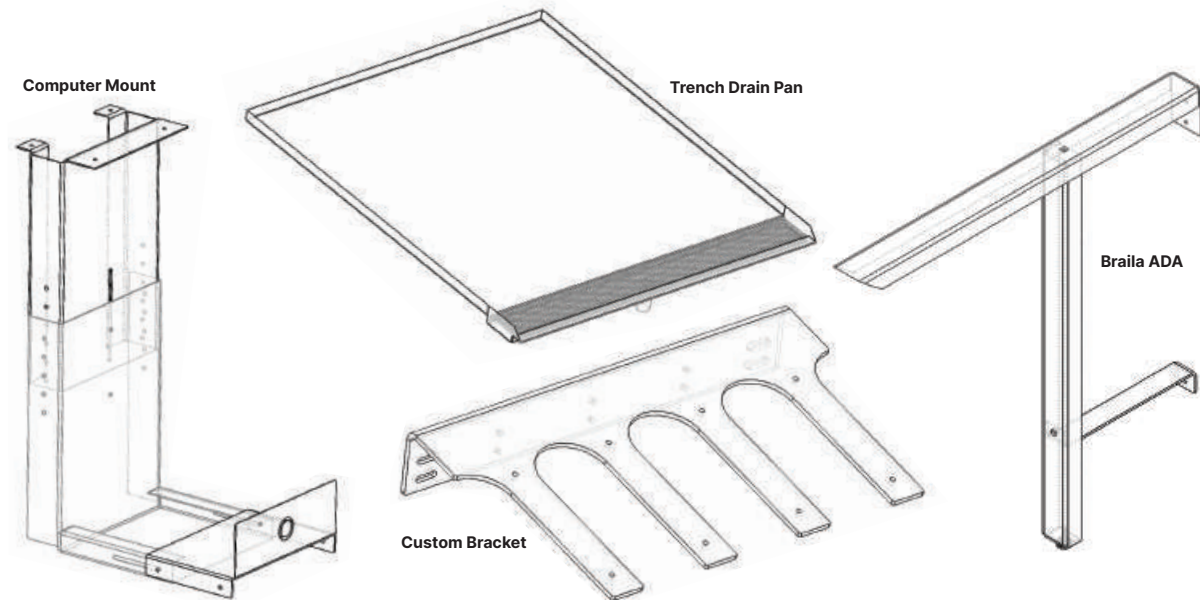
Freska

Size: 35.5x19.75x1.75
Finish: Teak
Feature: Natural Rubber Feet





Short Run Pro provides full service capabilities from web-based engineering drawing services and prototype development to after service medium runs and large production requirements. Short Run Pro acts as the parent company for 3 sizable brands in the metal bracket market: Federal Brace, Killarney Metals, & Oeveo.



Custom Part Design + Manufacturing



Short Run Pro (SRP) originated in 2006, and continues to streamline the custom parts procurement process to this day. Through the development of manufacturing processes, SRP gives buyers access to production capabilities so deep that almost any part is possible. This exclusive process reduces design, pricing and purchasing time while providing customers quality parts made to ISO 9001:2008 certification standards.

All Short Run Pro parts are **100% Made in the United States.**



Who is Mite?



Known as a “matchmaker for givers and charities,” Mite’s mission is to engage givers in worthy charity — they accomplish this by funding projects of trusted non-profits worldwide.

Short Run Pro & Federal Brace believe you should know exactly how your donation is used around the world — that’s how you experience the true joy of giving. Mite’s giver guarantee is that 100% of donations go towards projects. 100% of the time.

Their first 6 years at a glance:

- Partnered with 25+ different outreach partners across 18+ countries
- Provided over \$1.3m in support of humanitarian projects
- Impacted the lives of 100k+ people

Short Run Pro is a proud partner of Mite, and is a continual donor helping to Do Good Globally. Learn more at mite.org





FEDERAL

— B R A C E —

**American-Made, Heavy-Duty
Support Brackets**

